
TECHNICAL MANUAL**PLASTIC LAMINATED DIAGRAMS FOR DIRECT
SUPPORT, GENERAL SUPPORT, AND DEPOT MAINTENANCE
SEARCHLIGHT SET, INFRARED AN/VSS-3A
(NSN 5855-00-405-0404)**

NOTICE TO USERS

This package contains the following diagrams from TM 11-5855-217-35-1 that have been plastic laminated for use in the maintenance of Searchlight Set, Infrared AN/VSS-3A.

CONTENTS

Figure 4-8	FO-6(1)	FO-12
FO-4	FO-6(2)	FO-12.1
FO-5(1)	FO-7(1)	FO-16
FO-5(2)	FO-7(2)	

You can express your opinion on the usability of the diagrams by submitting comments and recommendations using DA Form 2028 (Recommended Changes to Publications and Blank Forms). Send to Commander, US Army Communications-Electronics Command, ATTN: DRSEL-ME-MQ, Fort Monmouth, NJ 07703.

By Order of the Secretary of the Army:

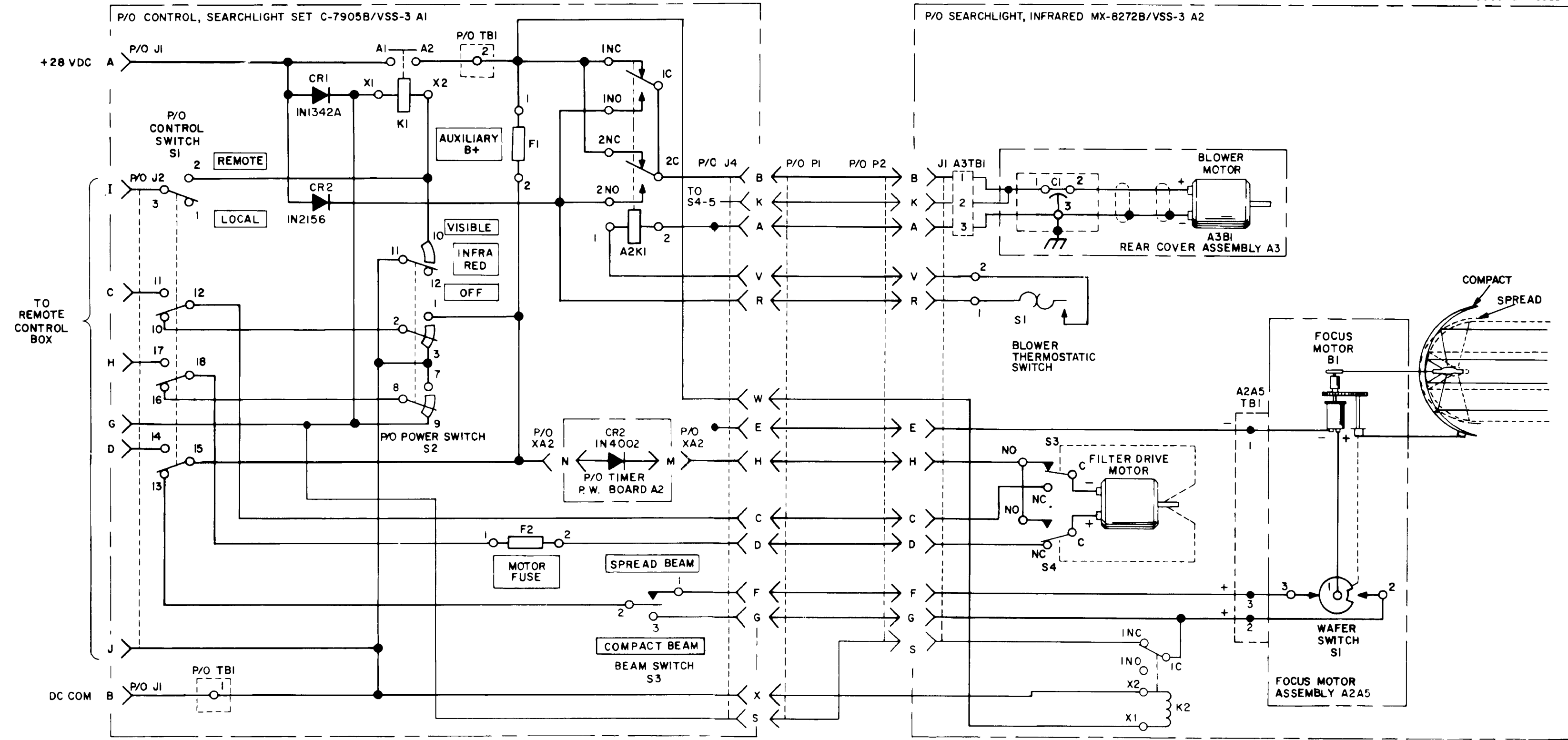
Official:

ROBERT M. JOYCE
Brigadier General, United States Army
The Adjutant General

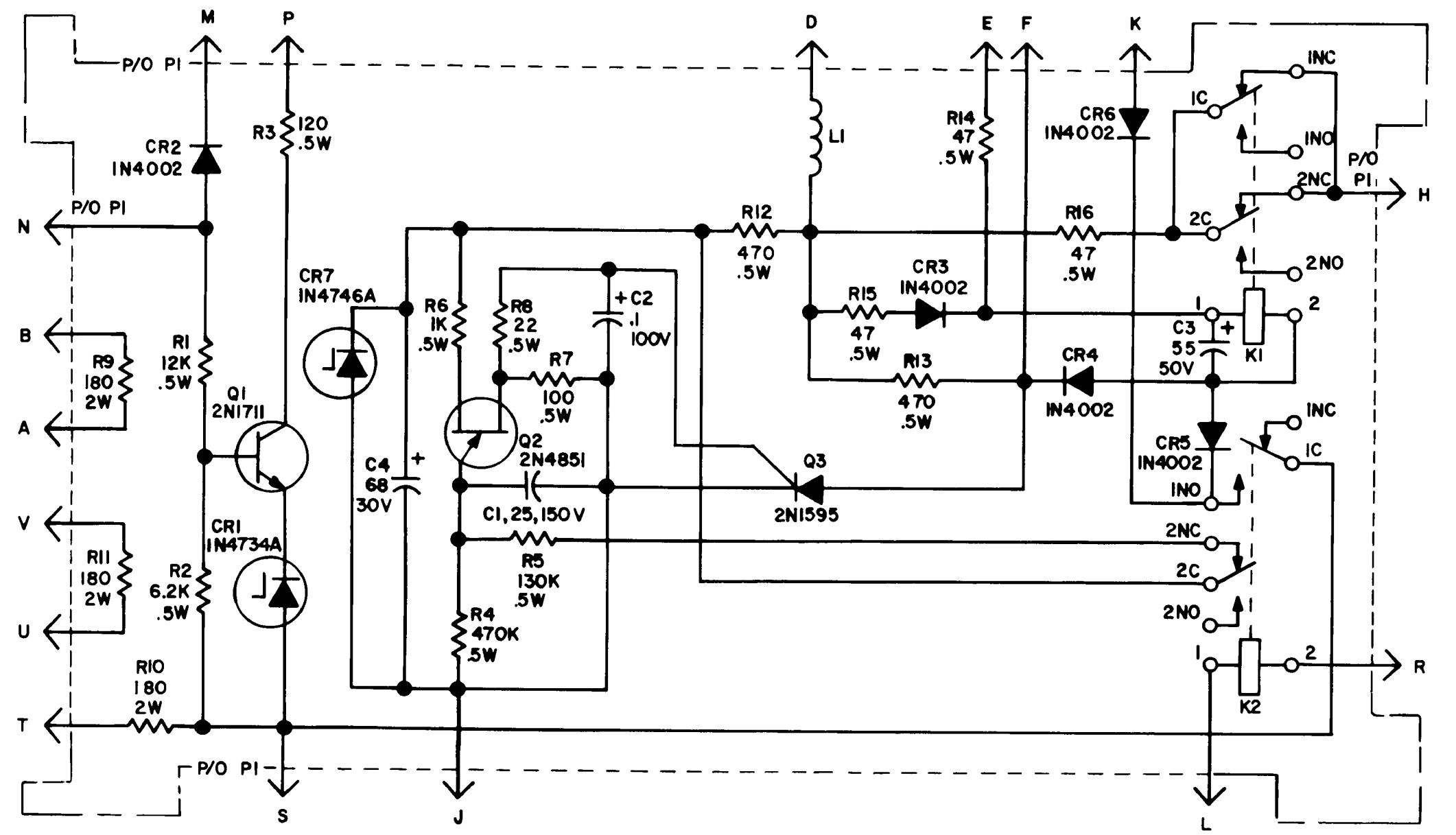
E. C. MEYER
General, United States Army
Chief of Staff

Distribution:

To be distributed in accordance with special list

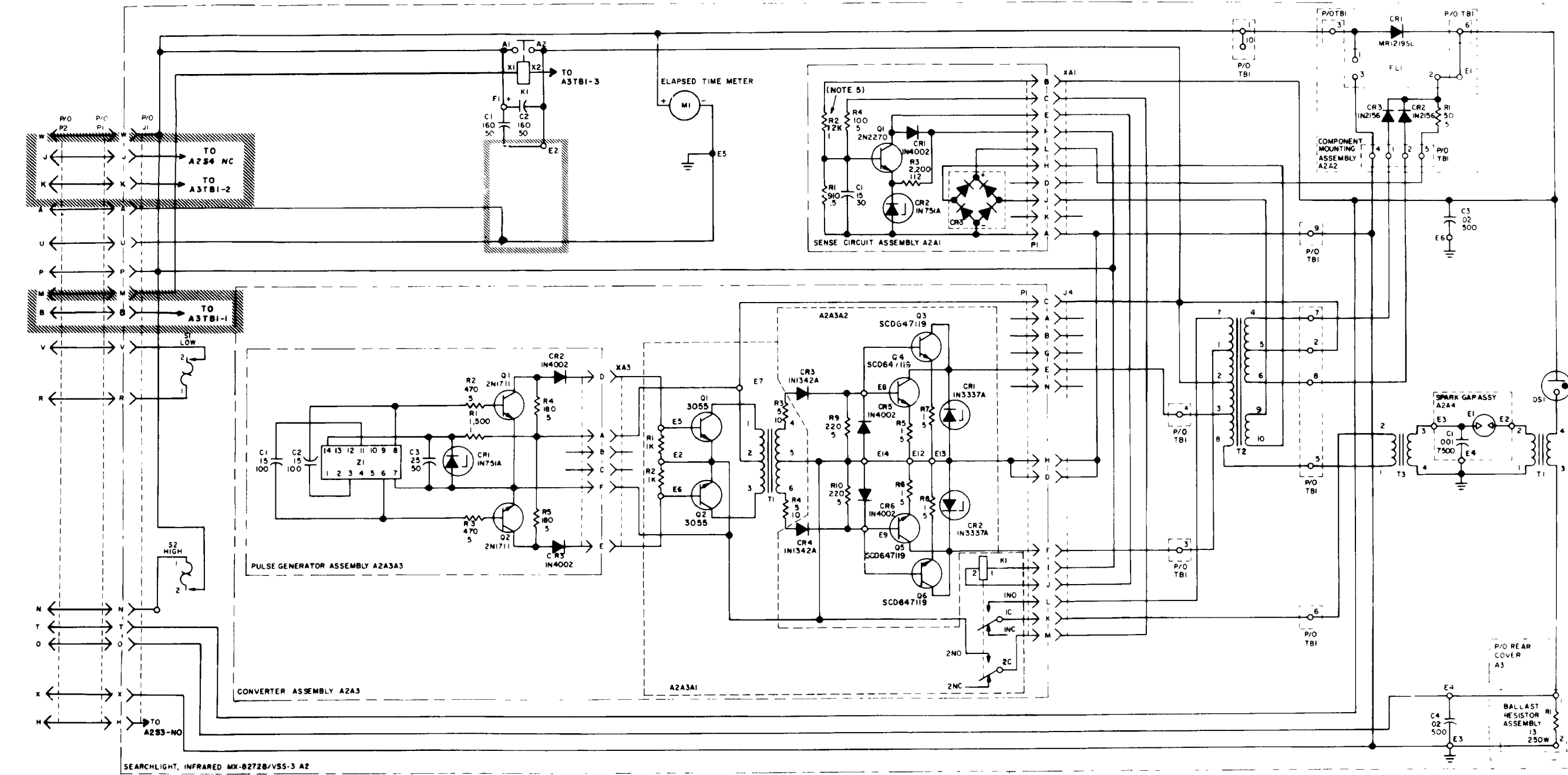


NOTE:
 [] INDICATES EQUIPMENT MARKINGS.
 FO-4 SIMPLIFIED SCHEMATIC DIAGRAM, ELECTROMECHANICAL SEARCHLIGHT SET MODELS 2, 3 AND 4



NOTE:
 1. ALL RESISTANCES MEASURED IN OHMS.
 2. CAPACITANCES MEASURED IN MICROFARADS.
 EL5855-217-35-1-TM-28

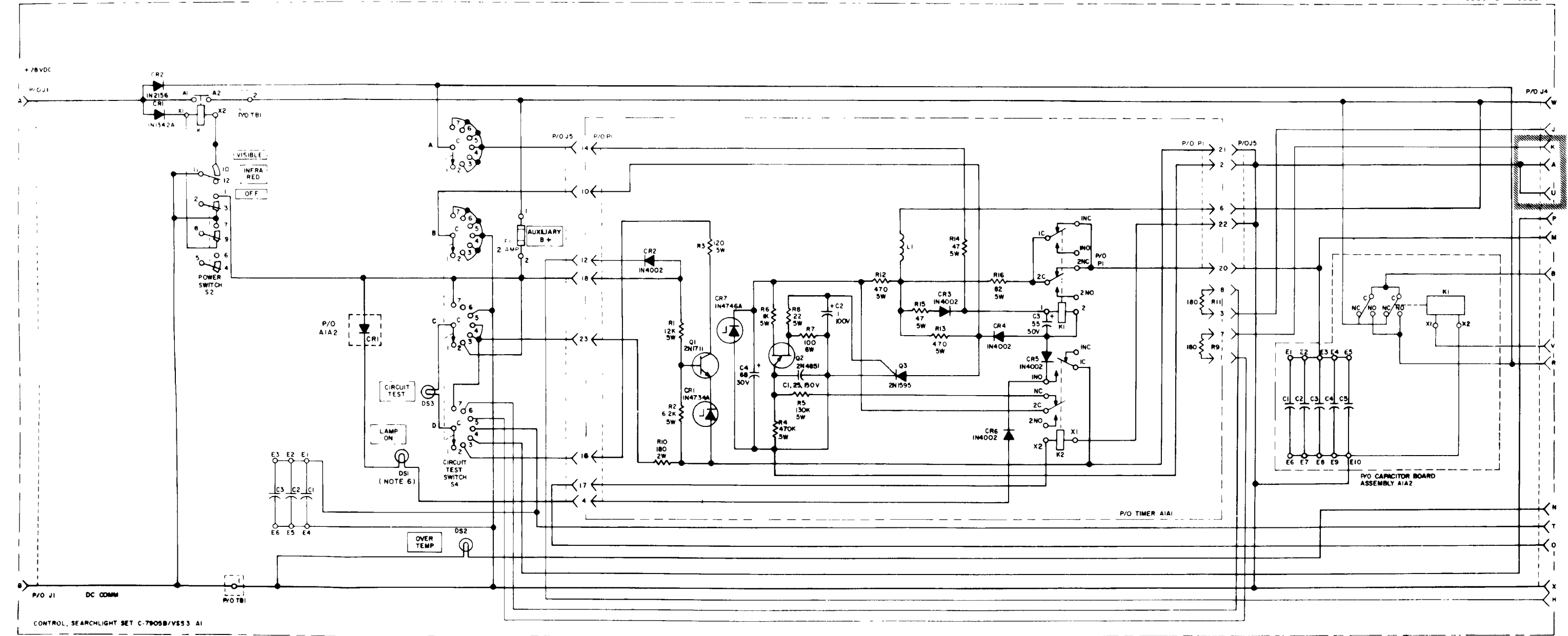
FIGURE 4.8 SCHEMATIC DIAGRAM, TIMER P.W. BOARD



FO-8 (3) SIMPLIFIED SCHEMATIC DIAGRAM, SEARCHLIGHT SET MODELS 2 AND 3

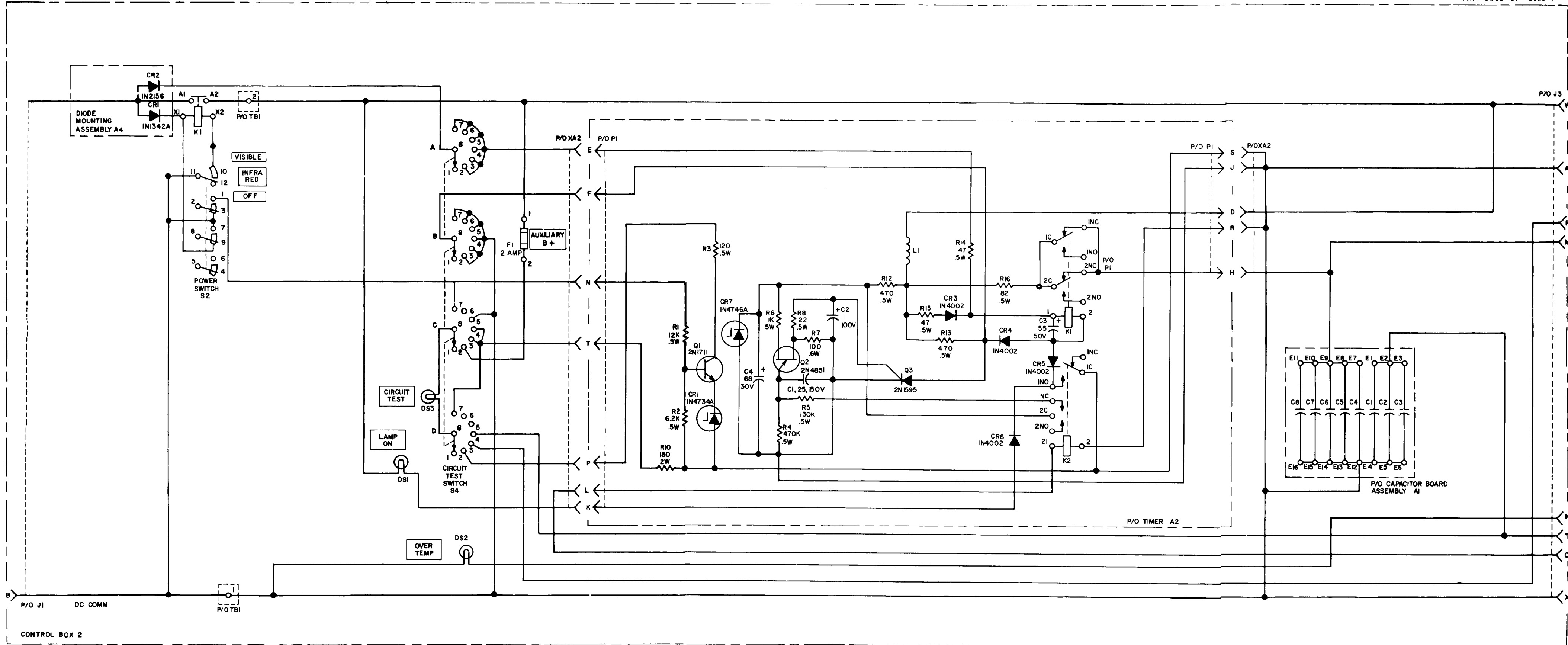
EL2LU028

- NOTES
- 1 ALL RESISTANCES MEASURED IN OHMS
 - 2 ALL CAPACITANCES MEASURED IN MICROFARADS
 - 3 INDICATES EQUIPMENT MARKINGS
 - 4 MAJOR UNITS ARE:
 - A1 CONTROL, SEARCHLIGHT SET C-7908B/V55-3
 - A2 SEARCHLIGHT, INFRARED MX-8272B/V55-3
 - A3 REAR COVER ASSEMBLY C-7908B/V55-3
 - A4 CONTROL, SEARCHLIGHT SET C-7908B/V55-3
 - 5 IN SOME SETS R2 MAY BE 4700 OHMS
 - 6 EARLY MODELS ON CONTRACT 047 HAVE LAMP DS1 CONNECTED TO TBI-2

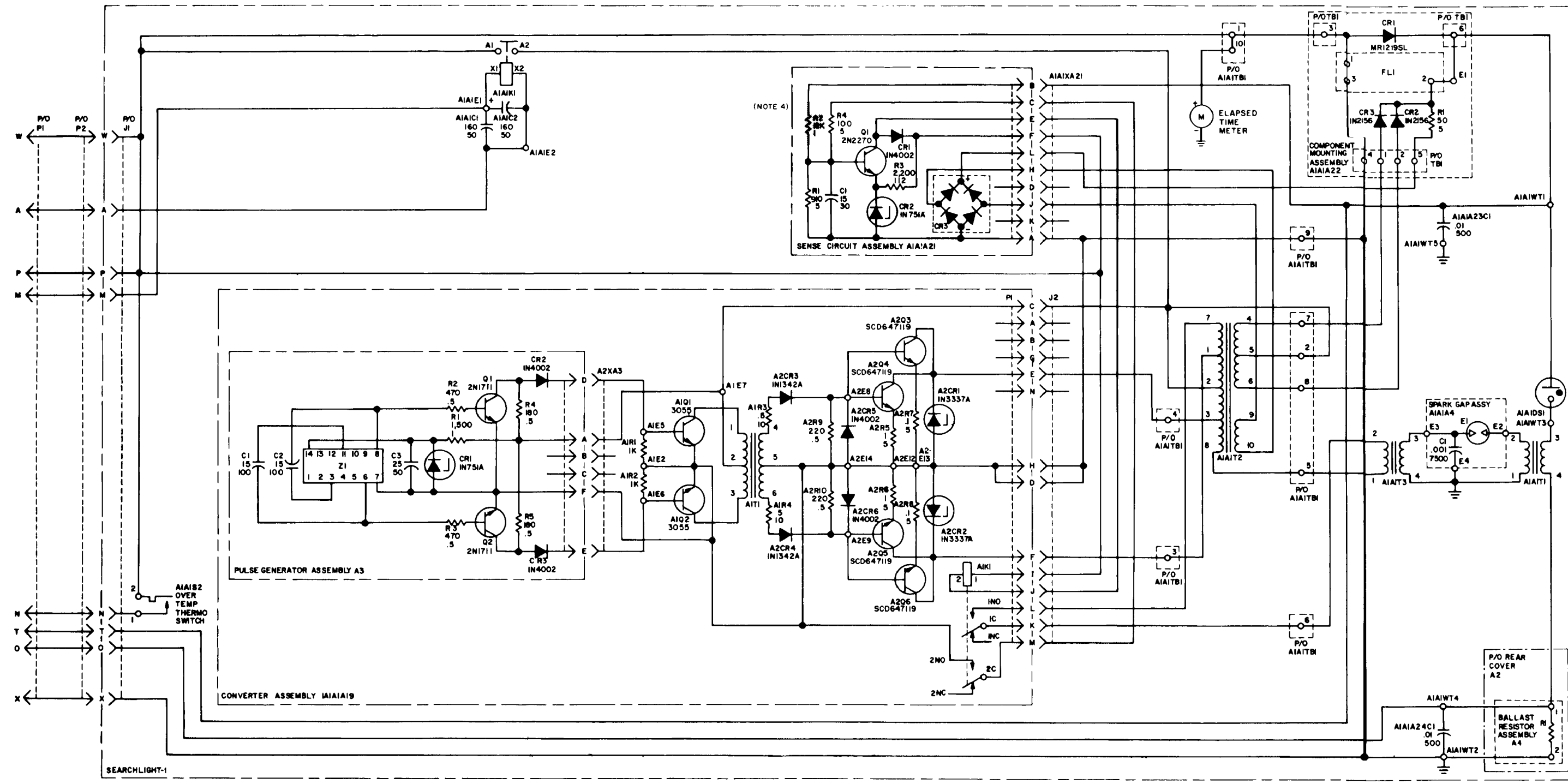


FO-6 (1) SIMPLIFIED SCHEMATIC DIAGRAM, SEARCHLIGHT SET MODEL 2 AND 3

EL2LU027

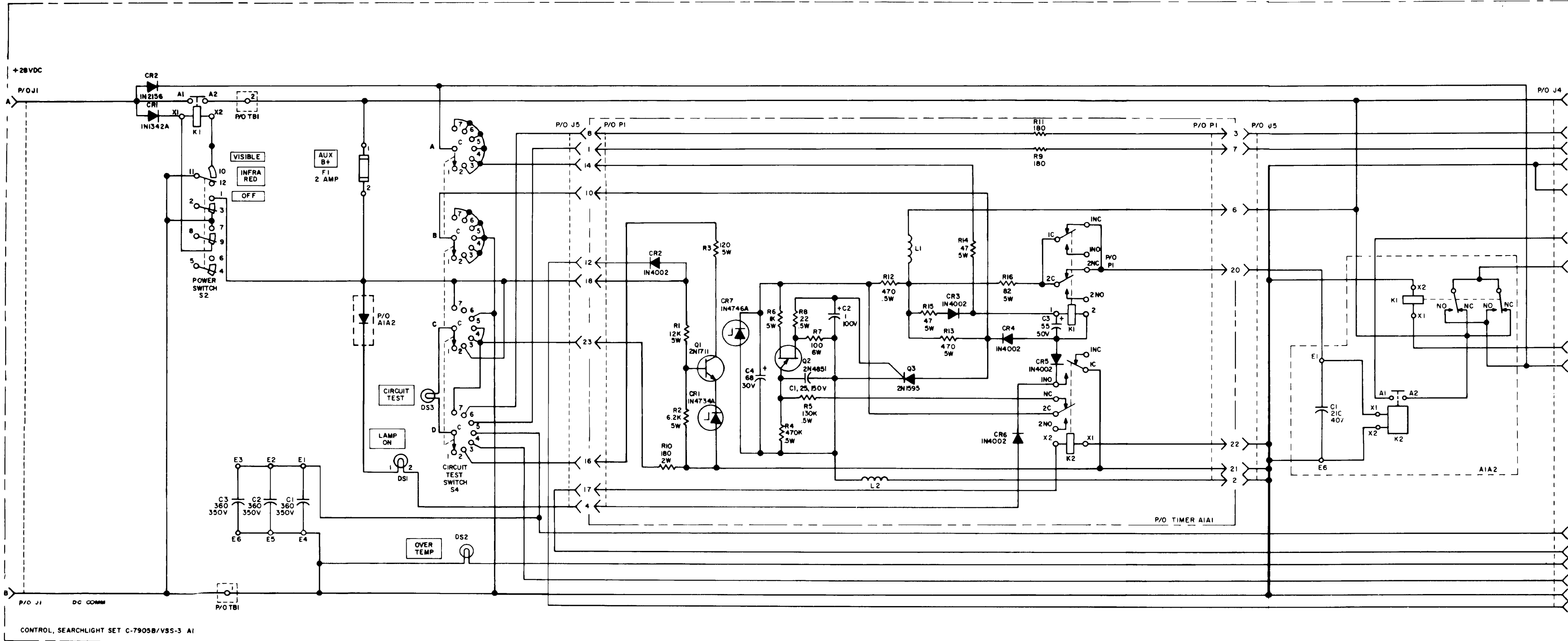


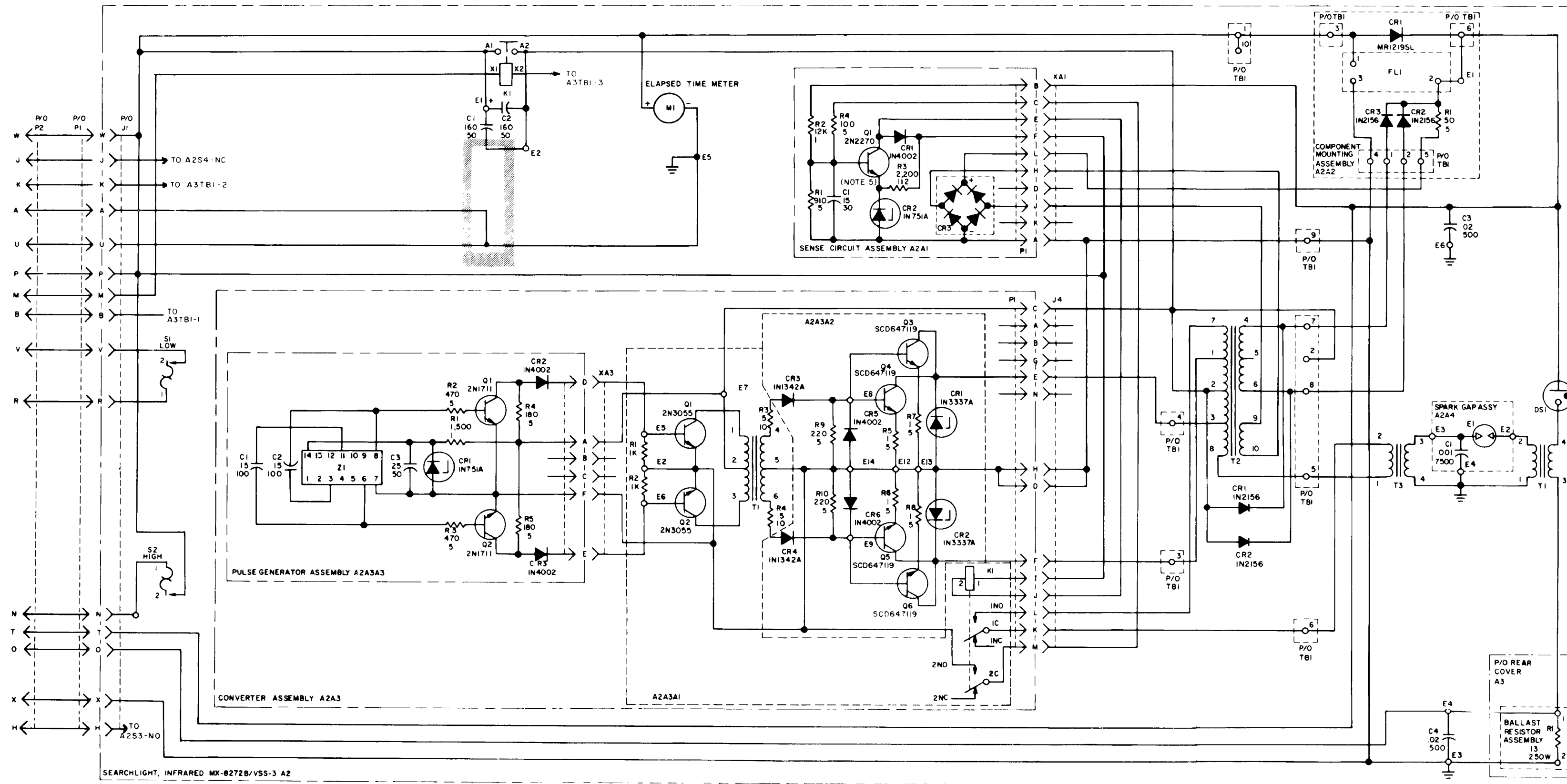
CONTROL BOX 2



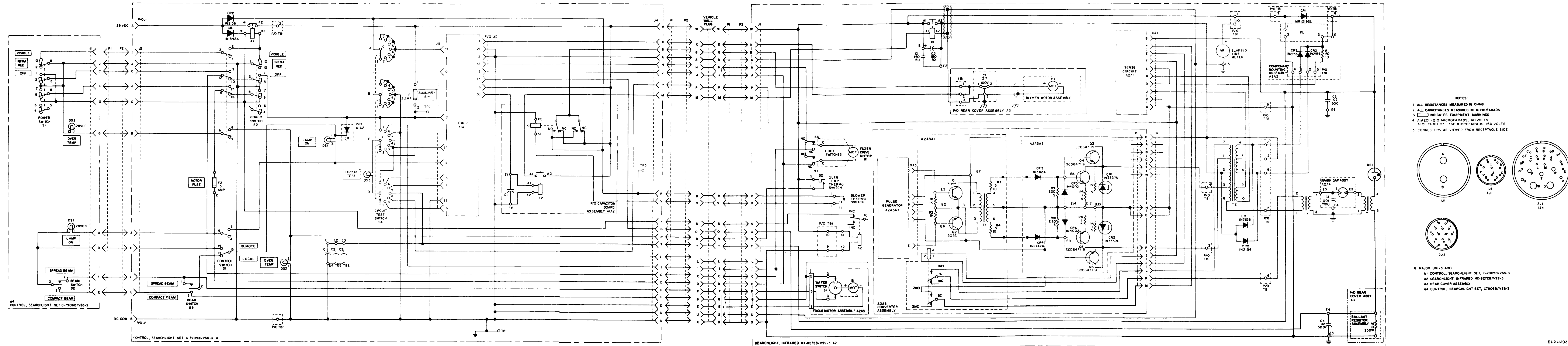
- NOTES:
1. ALL RESISTANCES MEASURED IN OHMS.
 2. ALL CAPACITANCES MEASURED IN MICROFARADS.
 3. [Symbol] INDICATES EQUIPMENT MARKINGS.
 4. A1A1A21R2 IS 4,700 OHMS IN SOME OLDER BOARDS.

Figure FO-5 (2). Simplified schematic diagram, searchlight set model 1 (sheet 2 of 2)

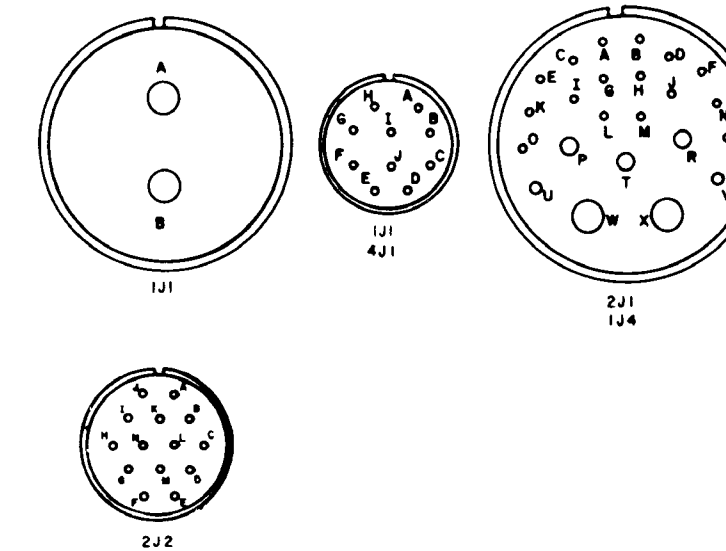




- NOTES:
- 1 ALL RESISTANCES MEASURED IN OHMS
 - 2 ALL CAPACITANCES MEASURED IN MICROFARADS.
 - 3 INDICATES EQUIPMENT MARKINGS.
 - 4 MAJOR UNITS ARE:
A1 CONTROL, SEARCHLIGHT SET C-7905B/VSS-3
A2 SEARCHLIGHT, INFRARED MX-8272B/VSS-3
A3 REAR COVER ASSEMBLY C-7906B/VSS-3
 - 5 SENSE TRANSISTOR MAY BE A 2N1480

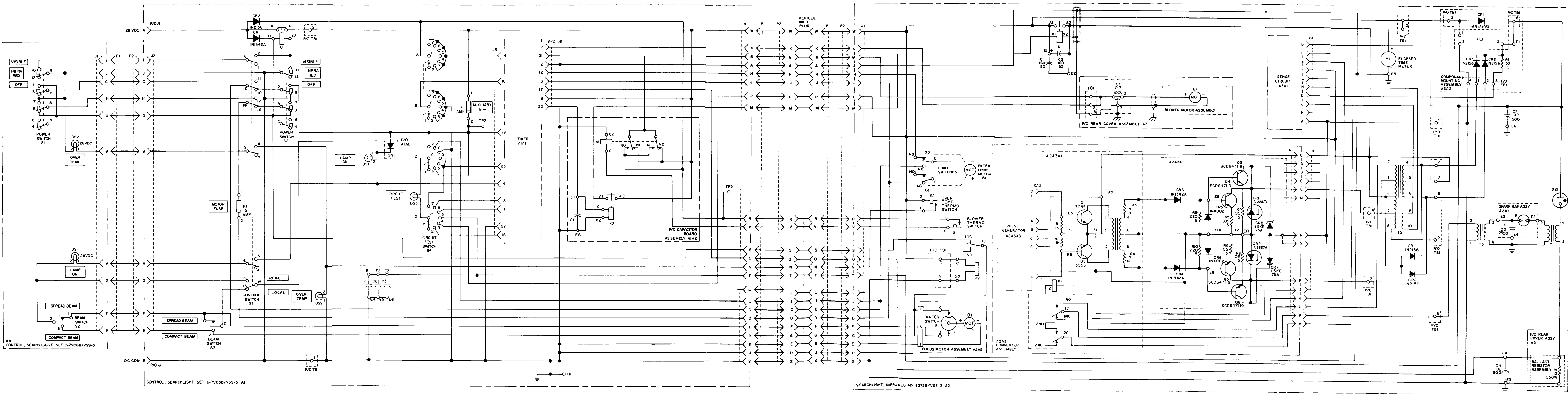


- NOTES:
1. ALL RESISTANCES MEASURED IN OHMS
 2. ALL CAPACITANCES MEASURED IN MICROFARADS
 3. INDICATES EQUIPMENT MARKINGS
 4. A1A2C1 - 210 MICROFARADS, 40 VOLTS
 5. A1C1 THRU C3 - 360 MICROFARADS, 150 VOLTS
 6. CONNECTORS AS VIEWED FROM RECEPTACLE SIDE

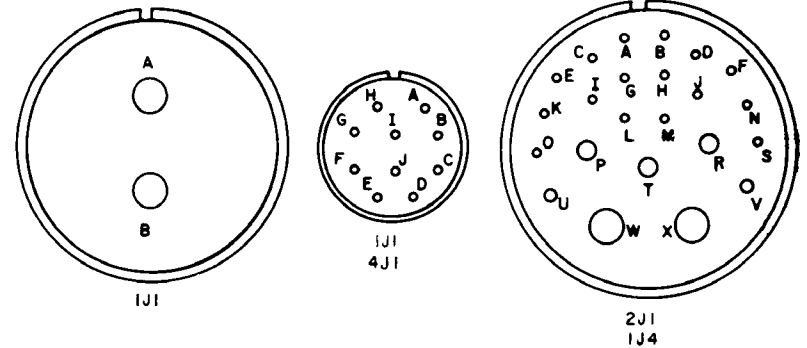


- 6 MAJOR UNITS ARE:
- A1 CONTROL, SEARCHLIGHT SET, C-7908B/VSS-3
 - A2 SEARCHLIGHT, INFRARED MX-8272B/VSS-3
 - A3 REAR COVER ASSEMBLY
 - A4 CONTROL, SEARCHLIGHT SET, C7908B/VSS-3

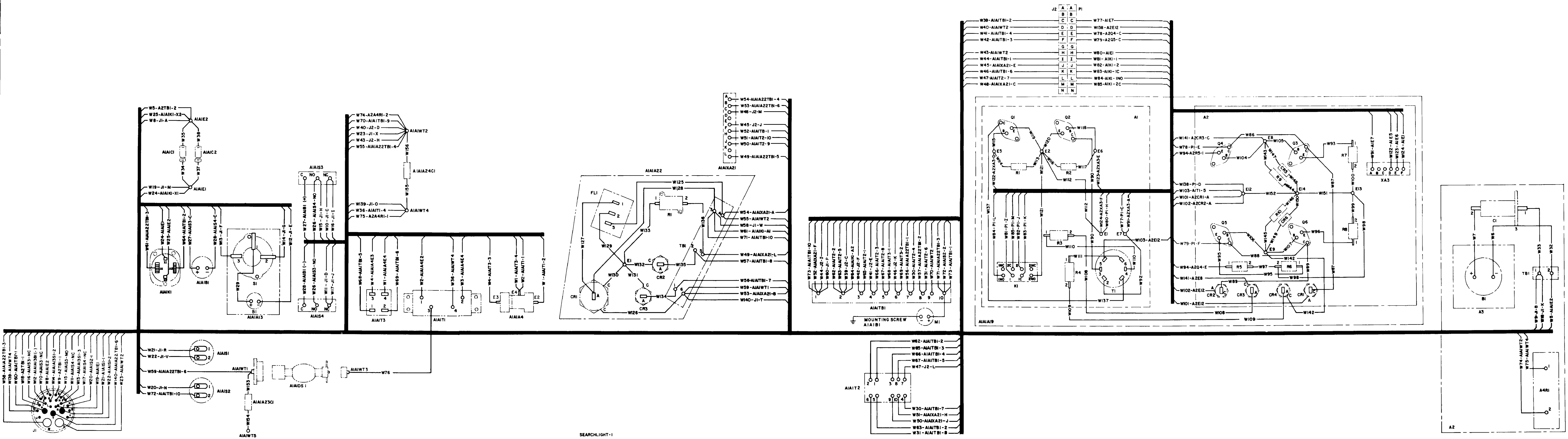
Figure FO-12 Complete schematic diagram, searchlight set model 4



- NOTES:
1. ALL RESISTANCES MEASURED IN OHMS
 2. ALL CAPACITANCES MEASURED IN MICROFARADS
 3. [Symbol] INDICATES EQUIPMENT MARKINGS
 4. A1A2C1 - 2.0 MICROFARADS, 40 VOLTS
A1C1 THRU C3 - 360 MICROFARADS, 150 VOLTS
 5. CONNECTORS AS VIEWED FROM RECEPTACLE SIDE



6. MAJOR UNITS ARE:
- A1 CONTROL, SEARCHLIGHT SET, C-7905B/VSS-3
 - A2 SEARCHLIGHT, INFRARED MX-8272B/VSS-3
 - A3 REAR COVER ASSEMBLY
 - A4 CONTROL, SEARCHLIGHT SET, C-7906B/VSS-3



SEARCHLIGHT-1